

# WSAA PRODUCT APPRASIAL CERTIFICATE

Smartstream Technology Pty Ltd

Poo Pit Polyethylene (PE) maintenance shafts for sewerage

**Product Category** This appraisal is for the Smartstream Technology Pty Ltd Poo Pit™ PE sewer maintenance shaft assemblies. A complete listing of products is included in the attached Schedule A.

The Poo Pit can be supplied with up to three upstream spigots or with just the downstream spigot as a Terminal maintenance shaft.

The base chambers provide a 0° sewer gradient through the base unit when the riser is set vertical.

The Poo Pit™ achieves any angle between 45° and 315° on 150 mm pipelines and between 65° and 295° on 225mm pipelines. Grade and invert drops can be achieved without the need for additional fittings such as deflection and kicker bends.

The MS base unit and assemblies have been tested as safe for an installation depth up to 5 m above invert and have a buoyancy safety with permissible groundwater level of 5 m above pipe invert.

**PA Number:** PA 1814 Part 1

**Supplier** Smartstream Technology Pty Ltd

**Brand** PooPit

**Standards** WSA 137-2019 Issue 3.3 Industry standard for Uplasticised polyvinyl chloride (PVC-U), polypropylene (PP) and Polyethylene (PE) maintenance shafts, maintenance chambers and maintenance holes for sewerage

**WSAA Product Specification** WSA PS – 322 Maintenance Shafts (MS) – Polyethylene (PE) for non-pressure applications –Sewerage

**Other Specifications** WSA PS – 287 Structural adhesive for joining PVCU DWV fitting at the inlets and risers of the base units of PE maintenance shafts, maintenance chambers or maintenance holes intended for use in non-pressure buried applications -

**Issue date** 12 August 2024

**Expiry date** 11 August 2029

## Recommendations

It is recommended that WSAA members consider accepting and authorising the Smartstream Technology Poo Pit Polyethylene (PE) Sewer Maintenance Shaft (MS) assemblies for gravity sewer applications as listed in Section 4 "Scope of Appraisal" subject to

- (a) the design, installation, testing and commissioning being carried out in accordance with:
  - (i) AS/NZS 2566.1 Buried flexible pipelines Part 1: Structural design
  - (ii) AS/NZS 2566.2 Buried flexible pipelines Part 2: Installation
  - (iii) Smartstream Technology's Installation Guide Poo Pit Polyethylene (PE) Sewer Maintenance Shaft (MS) assemblies for gravity sewer applications
  - (iv) WSAA Codes and any specific requirements of the member or associates, and
- (b) completion of and/or progress towards addressing the outstanding future work items identified in Clause 13 of PA 1814 Part 1.

### **Future Work Items included in Clause 13 of the PA Report No 1814 Part 1 below**

Smartstream will provide results of the below performance test within six months of this report publication.

- (a) Clause 4.11.2 Near surface components – load bearing resistance
- (b) Clause 2.2.2.2 (Materials for bases HDPE aperture spigots for inlet connectors.)
  - (i) Smartstream use Alkatane HD0390 supplied by Qenos for their HDPE aperture spigots for inlet connectors. This material is classified as non-standard material and is required to undergo a 3000 hours buckling resistance test in accordance to ISO 13267, demonstrating compliance with Clause 2.2.2.2 and Clause B5 of Appendix B.
  - (ii) Due to the sudden closure of Qenos, the supplier of Alkatane HD0390 HDPE compound used to manufacture the Poo Pit MS, and aperture HDPE inlet spigots Smartstream is required to undertake relevant type testing on bases manufactured from the yet to be selected new PE compound, prior to the depletion of Qenos Alkatane HD0390 HDPE stocks, and advise WSAA accordingly so that an update to this Report can be processed.
- (c) Clause 3.7.5 Elastomeric joint seal effectiveness.
  - (i) Smartstream to supply test results on the elastomer seals supplied by Akatherm for the DN160 HDPE AK-PE Snap Socket and protection plug fittings to satisfy AS/NZS 5065 Clause 3.4.3 Contact width and pressure or WSA 137 Clause 3.7.5 Elastomeric joint seal effectiveness...
- (d) Clause 4.2.2 PE welding
  - (i) Smartstream to arrange short term tensile testing on all combinations of rotomolded PE/ weld material/ extruded and /or injection moulded material) to qualify weld strength in accordance with DVS 2203-1 Testing of welded joints of thermoplastics sheets and pipes Test methods Requirements.
- (e) WSA PS 287.2.3(e) Lap shear test
  - (i) Smartstream is to provide Lap shear test to principles in ASTM D1002 in accordance with WSA PS 287.2.3 (e) PE/PVC structural adhesive joint Test Samples (The results of the Lap shear test results will be used as a base line to compare other results.)
- (f) Clause 6.4.4 Weathering resistance for handling
  - (i) Smartstream has been asked to explain how the 3-month limitation for uncovered storage in direct sunlight was determined.
  - (ii) Smartstream to provide specifications of packaging to protect PooPit against UV degradation caused by exposure to sunlight.
- (g) Clause 8 Marking
  - (i) Smartstream has been asked to remove reference to the previous Conformity Assessment Body and their Logo from the product marking sticker.

## **1. Disclaimer**

This Certificate is issued by the Water Services Association of Australia Limited on the understanding that:

This Certificate applies to the product(s) as submitted in Schedule A. Any changes to the product(s) either minor or major shall void this Certificate.

To maintain the recommendations of this Certificate any such changes shall be detailed and notified to the Product Appraisal Manager for consideration and review of the Certificate including the product appraisal criteria underlying it and appropriate action. Appraisals and their recommendations will be the subject of continuous review dependent upon the satisfactory performance of products.

WSAA reserves the right to undertake random audits of product manufacture and installation. Where products fail to maintain appraised performance requirements the appraisal and its recommendations may be modified and reissued. Appraisal certificate will be reviewed and reissued at regular intervals not exceeding five (5) years.

The following information explains a number of very important limits on your ability to rely on the information in this Certificate. Please read it carefully and take it into account when considering the contents of this Certificate.

Any enquiries regarding this certificate should be directed to the Product Appraisal Manager Phone: 08605 7601 email carl.radford@wsaa.asn.au.

### **1.1. Issue of Certificate**

This Certificate has been published and/or prepared by the Water Services Association of Australia Limited and nominated Project Manager and peer group of technical specialists (the Publishers).

The Certificate and the product appraisal criteria underlying has been prepared for use within Australia only by technical specialists that have expertise in the function of products such as those appraised in the Report (the Recipients).

By accepting this Certificate, the Recipient acknowledges and represents to the Publisher(s) and each person involved in the preparation of the Certificate and product appraisal criteria underlying it that the Recipient has understood and accepted the terms of this Disclaimer.

### **1.2. Limits on Reliance on Information and Recommendations**

#### **1.2.1. Disclaimer of liability**

Neither the Publisher(s) nor any person involved in the preparation of the Certificate and product appraisal criteria underlying it accept(s) any liability for any loss or damage suffered by any person however caused (including negligence or the omission by any person to do anything) relating in any way to the Certificate or the product appraisal criteria underlying it. This includes (without limitation) any liability for any recommendation or information in the Certificate or any errors or omissions.

#### **1.2.2. Intellectual Property and other rights**

The Water Services Association of Australia Limited does not undertake any assessment of whether the importation, manufacture, sale or use of the Product the subject of this Certificate infringes the intellectual property rights or proprietary rights of any person. Recipients of the certificate should undertake their own assessment of whether (as relevant) the importation, manufacture, sale or use of the relevant Products infringe the intellectual property rights or other proprietary rights of any person. If the Product infringes intellectual property rights or other proprietary rights there is potential for the supply of the Products to be interrupted.

From time to time the Water Services Association of Australia Limited and the other Publishers may receive notice of allegations that the importation, manufacture, sale or use of the Product infringes intellectual property rights or other proprietary rights. The Water Services Association of Australia Limited's policy is to not refer to such allegations in its reports or take any other steps to put Recipients on notice of such allegations, unless and until it is aware that the allegations have been admitted or proved in Court. As such, Recipients acknowledge, agree and accept that the Water Services Association of Australia Limited may have information in its possession about intellectual property rights infringement allegations or other infringement allegations in relation to the Product which are not referred to or disclosed in this Certificate and which are not otherwise communicated to Recipients.

#### **1.2.3. Need for independent assessment**

The information and any recommendation contained (expressly or by implication) in this Certificate are provided in good faith (and subject to the limitations noted in this Certificate). However, you should treat the information as indicative only. You should not rely on that information or any such recommendation except to the extent that you reach an agreement to the contrary with the Publisher(s).

This Certificate does not contain all information that a person might require for the purposes of assessing any product discussed or appraised within it. The product appraisal criteria used in preparing this Certificate may not address all relevant aspects of the Product.

Recipients should seek independent evidence of any matter which is material to their decisions in connection with an assessment of the Product and consult their own advisers for any technical information required. Any decision to use the Product should take into account the reliability of that independent evidence obtained by the Recipient regarding the Product. Recipients should also independently verify and assess the appropriateness of any recommendation in the Certificate, especially given that any recommendation will not take into account a Recipient's particular needs or circumstances.

WSAA has not evaluated the extent of the product liability and professional indemnity insurance that the provider of the product maintains. Recipients should ensure that they evaluate the allocation of liability for product defects and any professional advice obtained in relation to the product or its specification including the requirements for product liability and professional indemnity insurance.

### **1.3. No Updating**

Neither the Publisher(s) nor any person involved in the preparation of this Certificate or the product appraisal criteria underlying it [has] [have] any obligation to notify you of any change in the information contained in this Certificate or of any new information concerning the Publisher(s) or the Product or any other matter.

### **1.4. No Warranty**

The Publisher(s) do[es] not, in any way, warrant that steps have been taken to verify or audit the accuracy or completeness of the information in this Certificate, or the accuracy, completeness or reasonableness of any recommendation in this Certificate

# SCHEDULE A

## PE PIPELINE ASSEMBLY

ITEM NO.	DESCRIPTION	MATERIAL	QTY.
1	PVC-U SWJ RISER CAP Installation by Others	PVC	1
2	SOC-SPI Ø225 / Ø300 RRJ Installation by Others	PVC	1
3	DN250/315 PE100 SDR21 PN8 600mm LENGTH by SST	PE	1
4	POO FIT BASE UNIT	PE	1
5	DN250 PE100 SDR21 STUB PIPE 300mm LENGTH by SST	PE	2
6	DN160 PE100 SDR21 STUB PIPE 300mm LENGTH by SST	PE	2
7	DN450 CAST IRON MAINTENANCE SHAFT COVER	DI	1

**GENERAL NOTES:**

- The maximum depth of the installation shall be 5m.
- Maximum water table level can be 5m above maximum installation depth (5m).
- Highest permissible vehicle loading is Class D when used with Class D access cover and frame to AS3996:2019.
- In-situ backfill is to have a minimum dry density ratio of 95% of maximum soil dry density (MDD) in accordance with AS1289 Cl5.2.1 and Cl5.4.1. Refer to local authority or construction drawings specification details backfill, embedment and compaction requirements.
- The effective sealing lengths of Akatherm HDPE Snap Socket Plug 160MM (401610) and Vinidex RRJ fittings, when measured in accordance with AS/NZS 1462.1 is not less than the value specified in the relevant product specification. (Detail A)
- Inlet/Outlet connections made by contractor, joint/weld type to local authority or construction drawing specifications.

**NOTE: UNLESS OTHERWISE SPECIFIED**

- ALL DIMENSIONS IN MILLIMETRES
- WELDED DIMENSIONS ACCORDING TO AS 3996:2019
- ALL FITS TO BE CLOSE FIT UNLESS OTHERWISE SPECIFIED
- ALL SURFACES TO BE FINISHED AND PROTECTED

ISSUE FOR MANUFACTURING	DATE	27.03.2024	BY	PAUL WHITE
DESCRIPTION	DATE	27.03.2024	BY	PAUL WHITE
DESCRIPTION	DATE	27.03.2024	BY	PAUL WHITE

**SMARTSTREAM TECHNOLOGY**

Western Australia Head Office  
17 Cordup Stirling Road, Cordup, 6122 WA  
www.smartstream.net.au

CONTRACTOR TO VERIFY DIMENSIONS AND SPECIFICATIONS OF ALL MATERIALS AND COMPONENTS BEFORE COMMENCEMENT OF WORK. ANY VARIATIONS FROM THE DRAWING SHALL BE REPORTED TO THE DESIGNER IMMEDIATELY.

DO NOT SCALE FROM THIS DRAWING

DRAWN	DATE	27.03.2024	MODEL	POO PIT	PRODUCT CODE
CHECKED	DATE	27.03.2024	TEST	PE PIPELINE ASSEMBLY	
APPROVED	DATE	27.03.2024	GENERAL ASSEMBLY		

AS 1100	SHEET SIZE	A3	GEN. NO.	SST-00225	REV.	1
THIRD ANGLE	SCALE	1:20				

## PVC PIPELINE ASSEMBLY STRUCTURAL ADHESIVE JOINT

ITEM NO.	DESCRIPTION	MATERIAL	QTY.
1	POO FIT BASE	PE	1
2	DN 225/300 PVC-U Installation by Others	PVC	1
3	SOC-SPI Ø225 / Ø300 RRJ Installation by Others	PVC	1
4	PVC-U SWJ RISER CAP Installation by Others	PVC	1
5	DN250 PE ADAPTOR SPIGOT	PE	1
6	DN160 PE ADAPTOR SPIGOT	PE	1
7	DN 225mm SWJ or RRJ ADAPTOR	PVC	3
8	PVC-U DN225 Installation by Others	PVC	2
9	DN150mm SWJ or RRJ ADAPTOR	PVC	2
10	DWV PVC-U DN150 Installation by Others	PVC	1
11	DN450 DI MAINTENANCE SHAFT COVER	DI	1
12	STRUCTURAL ADHESIVE JOINT BY MANUFACTURER TO WSA PS-287	Structural Adhesive	

**GENERAL NOTES:**

- The maximum depth of the installation shall be 5m.
- Maximum water table level can be 5m above maximum installation depth (5m).
- Highest permissible vehicle loading is Class D when used with Class D access cover and frame to AS3996:2019.
- In-situ backfill is to have a minimum dry density ratio of 95% of maximum soil dry density (MDD) in accordance with AS1289 Cl5.2.1 and Cl5.4.1. Refer to local authority or construction drawings specification details backfill, embedment and compaction details.
- The effective sealing lengths of Akatherm HDPE Snap Socket Plug 160MM (401610) and Vinidex RRJ fittings, when measured in accordance with AS/NZS 1462.1 is not less than the value specified in the relevant product specification. (Detail A)
- Inlet/Outlet connections made by contractor, joint/weld type to local authority or construction drawing specifications.

**NOTE: UNLESS OTHERWISE SPECIFIED**

- ALL DIMENSIONS IN MILLIMETRES
- WELDED DIMENSIONS ACCORDING TO AS 3996:2019
- ALL FITS TO BE CLOSE FIT UNLESS OTHERWISE SPECIFIED
- ALL SURFACES TO BE FINISHED AND PROTECTED

ISSUE FOR MANUFACTURING	DATE	27.03.2024	BY	PAUL WHITE
DESCRIPTION	DATE	27.03.2024	BY	PAUL WHITE
DESCRIPTION	DATE	27.03.2024	BY	PAUL WHITE

**SMARTSTREAM TECHNOLOGY**

Western Australia Head Office  
17 Cordup Stirling Road, Cordup, 6122 WA  
www.smartstream.net.au

CONTRACTOR TO VERIFY DIMENSIONS AND SPECIFICATIONS OF ALL MATERIALS AND COMPONENTS BEFORE COMMENCEMENT OF WORK. ANY VARIATIONS FROM THE DRAWING SHALL BE REPORTED TO THE DESIGNER IMMEDIATELY.

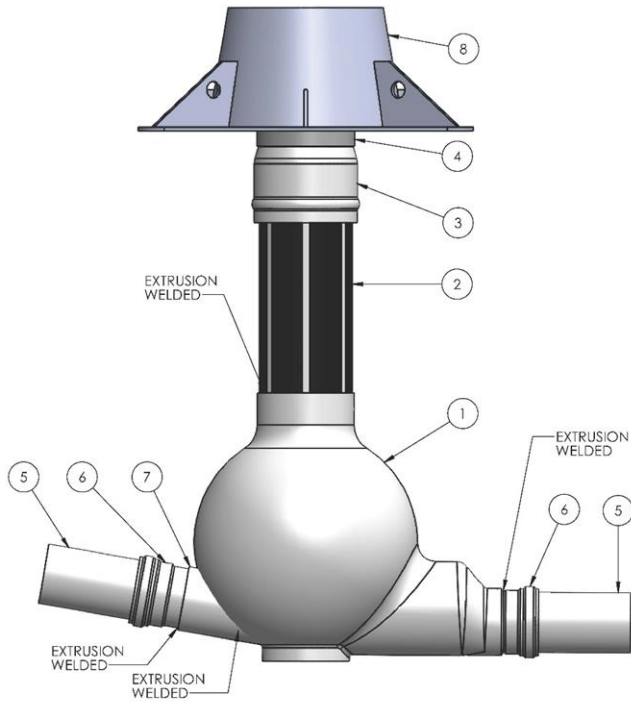
DO NOT SCALE FROM THIS DRAWING

DRAWN	DATE	27.03.2024	MODEL	POO PIT	PRODUCT CODE
CHECKED	DATE	27.03.2024	TEST	PVC PIPELINE ASSEMBLY	
APPROVED	DATE	27.03.2024	GENERAL ASSEMBLY		

AS 1100	SHEET SIZE	A3	GEN. NO.	SST-00224	REV.	1
THIRD ANGLE	SCALE	1:20				



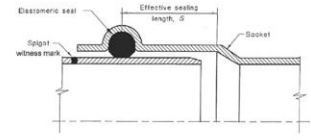
RRJ PIPELINE ASSEMBLY



ITEM NO.	DESCRIPTION	MATERIAL	QTY.
1	POO PIT BASE	PE	1
2	DN 250/315 PE 100 SDR21 PN8 600mm LENGTH by SST	PE	1
3	SOC-SPI Ø225 / Ø300 RRJ Installation by Others	PVC	1
4	PVC-U SWJ RISER CAP Installation by Others	PVC	1
5	DWV PVC-U DN150 Installation by Others	PVC	2
6	Akatherm HDPE Snap Socket Plug 160mm (401610)	PE	2
7	DN160 PE ADAPTOR SPIGOT	PE	1
8	DN450 CAST IRON MAINTENANCE SHAFT COVER	DI	1

GENERAL NOTES:

- The maximum depth of the installation shall be 5m.
- Maximum water table level can be 5m above maximum installation depth (5m).
- Highest permissible vehicle loading is Class D when used with Class D access cover and frame to AS3996:2019.
- In-situ backfill is to have a minimum dry density ratio of 95% of maximum soil dry density (MDD) in accordance with AS1289 Cl:5.2.1 and Cl:5.4.1. Refer to local authority or construction drawings specification details backfill, embedment and compaction details.
- The effective sealing lengths of Akatherm HDPE Snap Socket Plug 160MM (401610) and Vindex RRJ fittings, when measured in accordance with AS/NZS 1462.1 is not less than the value specified in the relevant product specification. Pipe insertion depth to manufacturers witness mark. Maximum pipe insertion depth 105mm. (Detail A)
- Inlet/Outlet connections made by contractor, joint/weld type to local authority or construction drawing specifications.



DETAIL A

NOTE: DIMENSIONS UNLESS SPECIFIED  
 \* ALL DIMENSIONS IN MILLIMETERS  
 \* DIMENSIONS SHOWN ACCORDING TO AS DATA PROVIDED  
 \* DIMENSIONS BY OTHERS TO BE CHECKED AND APPROVED  
 \* ALL DIMENSIONS TO BE TO DIMENSIONS AND TOLERANCES

						DRAWN: DIAZ KAMAN DATE: 27.03.2024	SHEET: POO PIT TITLE: RRJ PIPELINE ASSEMBLY
				Western Australia Head Office 17 Cardup Siding Road, Cardup, 6122 WA www.smartstream.net.au		CHECKED: DENFORD VIRIMAI DATE: 27.03.2024	GENERAL ASSEMBLY
				<small>CONFIDENTIAL: THIS DOCUMENT IS UNCLASSIFIED AND NOT FOR DISTRIBUTION OUTSIDE THE COMPANY. IT IS THE PROPERTY OF SMARTSTREAM TECHNOLOGY AND IS NOT TO BE REPRODUCED OR TRANSMITTED IN ANY FORM OR BY ANY MEANS, ELECTRONIC OR MECHANICAL, INCLUDING PHOTOCOPYING, RECORDING, OR BY ANY INFORMATION STORAGE AND RETRIEVAL SYSTEM, WITHOUT THE WRITTEN PERMISSION OF SMARTSTREAM TECHNOLOGY.</small>		APPROVED: PAUL WHITE DATE: 27.03.2024	SCALE: A3 PROJECT: SST-00226
1	ISSUE FOR MANUFACTURING	27.03.2024	HL	PAUL WHITE	DO NOT SCALE FROM THIS DRAWING	SHEET 1 of 1	REV: 1
REV	DESCRIPTION	DATE	ECN No.	APPROVED			

QUALITY CERTIFICATIONS

**TABLE 1: SMARTSTREAM TECHNOLOGY PTY LTD – QUALITY MANAGEMENT SYSTEMS**

<b>Locations:</b> 17 Cardup Siding Road, Cardup, WA 6122	
12 Mackie Way Brendale, QLD 4500	
Unit 1/19 Benney Rd, Kings Park NSW 2148	
76 Riverside Ave Werribee Vic 3030	
Quality Systems Standard	ISO 9001:2015
Certificate Registration no.	AMI-QM 78045
Certifying agency	Approval Mark
Original certified:	3 June 2024
Issued:	3 June 2024
Expires:	3 June 2027
Current Certification	3 June 2024

**TABLE 2: SMARTSTREAM TECHNOLOGY PTY LTD – PRODUCT CERTIFICATION**

<b>Business Location:</b> 17 Cardup Siding Road, Cardup, WA 6122	
Product Standard/Spec.	WSA 137- 2019 Industry standard for Uplasticised polyvinyl chloride (PVC-U), polypropylene (PP) and Polyethylene (PE) maintenance shafts, maintenance chambers and maintenance holes for sewerage
Certificate Registration no.	AMI 75093
Certifying agency	Approval Mark
Issued:	10 July 2024
Original Issue:	10 July 2024
Expires:	10 July 2025



**TABLE 3: BEAUFOX INDUSTRIES PTY LTD – PRODUCT CERTIFICATION**

<b>Business Location:</b> 27 Dellamarta Road, Wangara WA 6065	
Product Standard/Spec.	AS/NZS 1260:2017 PVC-U pipes and fittings for drain, waste and vent applications
Certificate Registration no.	WM 70601 WaterMark
Certifying agency	ApprovalMark International
First date of certification	12 December 2012
Current date of certification	18 August 2023
Expiry date of certification	12 December 2024

**TABLE 4: VINIDEX PTY LTD – PRODUCT CERTIFICATION**  
**AKATHERM INTERNATIONAL B.V Industrieterrein 11, Panningen, Netherlands**

<b>Business Location:</b> Darlinghurst, NSW and Smithfield, NSW	
Product Standard/Spec.	AS/NZS 5065:2005 - Polyethylene and polypropylene pipes and fittings for drainage and sewerage applications
Certificate Registration no.	WMK25839 WaterMark
Certifying agency	SAI Global
First date of certification	1 March 2016
Current date of certification	29 February 2019
Expiry date of certification	28 February 2029

**TABLE 5: VINIDEX PTY LTD – PRODUCT CERTIFICATION**

<b>Business Location:</b> Lot 2, Witmack Road, Wellcamp QLD 4350	
Product Standard/Spec.	AS/NZS 4130 Polyethylene Pipes (PE) For Pressure Applications
Certificate Registration no.	StandardsMark SMKP1770
Certifying agency	SAI Global
First date of certification	10 August 2011
Current date of certification	13 June 2024
Expiry date of certification	9 August 2026



**TABLE 6: VINIDEX PTY LTD – PRODUCT CERTIFICATION**

<b>Business Location:</b>	
224 Musgrave Road, Coppers Plains QLD 4108	
254 Woodpark Road, Smithfield, NSW 2164, Australia	
231 - 245 St Albans Road, Sunshine, VIC 3020, Australia	
Sainsbury Road, O'Connor, WA 6163, Australia	
Product Standard/Spec.	AS/NZS 1260:2017 PVC-U pipes and fittings for drain, waste and vent applications
Certificate Registration no.	StandardsMark SMKP1010
Certifying agency	SAI Global
First date of certification	10 August 2011
Current date of certification	1 October 2021
Expiry date of certification	9 August 2026

**TABLE 7: IPLEX PIPELINES PTY LTD – PRODUCT CERTIFICATION**

<b>Business Location:</b> 31 Terry Court, Thurgoona NSW 2640 and 884 Ingham Road Bohle QLD 4818 Australia	
Product Standard/Spec.	AS/NZS 4130:2018 Polyethylene Pipes (PE) For Pressure Applications
Certificate Registration no.	StandardsMark SMKP20088
Certifying agency	SAI Global
First date of certification	7 May 1999
Current date of certification	16 April 2021
Expiry date of certification	5 May 2025

**TABLE 8: IPLEX PIPELINES PTY LTD – PRODUCT CERTIFICATION**

<b>Business Location:</b> 35 Alfred Road Chipping Norton NSW 2170 Australia	
Product Standard/Spec.	AS/NZS 1260:2017 PVC-U pipes and fittings for drain, waste and vent applications
Certificate Registration no.	SMK1383
Certifying agency	SAI Global
First date of certification	12 May 1994
Current date of certification	25 May 2022
Expiry date of certification	20 March 2027

**TABLE 9: SMARTSTREAM TECHNOLOGY – PRODUCT CERTIFICATION**

<b>Business Location:</b> 6 Kingscote St, Kewdale WA 6105	
Product Standard/Spec.	AS 3996:2019 Access covers and grates
Certificate Registration no.	BMP 741380
Certifying agency	BSI Group Australia & New Zealand Pty Ltd
Originally registered	23/07/2021
Latest Issue	13/10/2023
Expiry date	22/7/2026



**POO PIT PE MS TECHNICAL LITERATURE AND INSTALLATION PROCEDURE AND  
DRAWINGS**

For more information on the Poo Pit MS Technical and inspection, monitoring and maintenance refer to their website at <http://www.smartstream.net.au/>.

**SUPPLIER CONTACTS**

Smartstream Technology  
Cardup Siding Rd Cardup WA 6122  
Phone: (08) 9526 1440  
Email: [solutions@smartstream.net.au](mailto:solutions@smartstream.net.au)

Smartstream Technology  
12 Macky Way Brendale Qld 4500  
Phone: (07) 3881 3051  
Email: [solutions@smartstream.net.au](mailto:solutions@smartstream.net.au)

Smartstream Technology  
Unit 1/19 Binney Rd Kings Park NSW 2148  
Phone: 0498 067 106  
Email: [solutions@smartstream.net.au](mailto:solutions@smartstream.net.au)

Smartstream Technology  
74 Riverside Ave Werribee Vic 3030  
Phone: 0437 943 728  
Email: [solutions@smartstream.net.au](mailto:solutions@smartstream.net.au)