



WSAA PRODUCT APPRAISAL CERTIFICATE

Reece Australia Pty Ltd DIMAX Spring Hydrant Valves

This appraisal covers DN 80 spring hydrant valves manufactured to 3952:2002 *Water supply - Spring hydrant valve for waterworks purposes* with a DN 80 or DN 100 flanged outlet to AS 4087 Fig B5. The PN16 valves incorporate removable internal components to allow direct full-bore access to the pipeline for insertion and removal of swabs for scouring purposes.

The Spring Hydrant Valve is intended for use with drinking and non-drinking water supply and is operated by means of the attachment of a standpipe.

A listing of Quality and Product Certification Certificates, details of products and supplier contacts are included in the attached Schedules A, B and C.

Product Category	Spring Hydrant Valves
PA Number:	PA 2058
Supplier	Reece Australia Pty Ltd
Brand	DIMAX
Standards	AS 3952:2002 <i>Water supply - Spring hydrant valve for waterworks purposes</i>
WSAA Product Specification	WSA PS 267 <i>Hydrants (Spring) for Pressure Applications - Water Supply</i>
Issue date	Monday 18 January 2021
Expiry date	Saturday 17 January 2026
Recommendations	It is recommended that WSAA members, subject to any specific requirements of the member, accept or authorise the DIMAX spring hydrant valves for use in water supply pressure pipelines, designed and installed in accordance with WSAA Codes and the manufacturers requirements, where specified.
Disclaimer	The disclaimer on Page 2 explains a number of very important limits on your ability to rely on the information in this Product Appraisal Certificate and the assessment criteria used to underlay it. Please read it carefully and take it into account when considering the content in this Certificate.

1. Disclaimer

This Product Appraisal Certificate (Certificate) is issued by WSAA on the understanding that:

This Certificate applies to the product(s) as submitted in Schedule A. Any changes to the product(s) either minor or major shall void this Certificate.

To maintain the recommendations of this Certificate any such changes shall be detailed and notified to the Product Appraisal Manager for consideration and review of the Certificate including the product appraisal criteria underlying it and appropriate action. Appraisals and their recommendations will be the subject of continuous review dependent upon the satisfactory performance of products.

WSAA reserves the right to undertake random audits of product manufacture and installation. Where products fail to maintain appraised performance requirements the appraisal and its recommendations may be modified and reissued. Certificates will be reviewed and reissued at regular intervals not exceeding five (5) years.

WSAA reserves the right to withdraw this Certificate at any time in its sole and absolute discretion for any reason.

The following information explains a number of very important limits on your ability to rely on the information in this Certificate. Please read it carefully and take it into account when considering the contents of this Certificate.

Any enquiries regarding this Certificate should be directed to the Product Appraisal Manager Phone: 03 8605 7601 email carl.radford@wsaa.asn.au.

1.1. Issue of Certificate

This Certificate has been published and/or prepared by WSAA and nominated Project Manager and peer group of technical specialists (the Publishers).

The Certificate and the underlying product appraisal criteria have been prepared for use within Australia only by technical specialists that have expertise in the function of products such as those appraised in the Certificate (the Recipients).

By accepting this Certificate, the Recipient acknowledges and represents to the Publisher(s) and each person involved in the preparation of the Certificate and product appraisal criteria underlying it that the Recipient has understood and accepted the terms of this Disclaimer.

1.2. Limits on Reliance on Information and Recommendations

1.2.1. Disclaimer of liability

Neither the Publisher(s) nor any person involved in the preparation of the Certificate and product appraisal criteria underlying it accept(s) any liability for any loss or damage suffered by any person however caused (including negligence or the omission by any person to do anything) relating in any way to the Certificate or the product appraisal criteria underlying it. This includes (without limitation) any liability for any recommendation or information in the Certificate or any errors or omissions.

1.2.2. Intellectual Property and other rights

WSAA does not undertake any assessment of whether the importation, manufacture, sale or use of the Product the subject of this Certificate infringes the intellectual property rights or proprietary rights of any person. Recipients of the Certificate should undertake their own assessment of whether (as relevant) the importation, manufacture, sale or use of the relevant Products infringe the intellectual property rights or other proprietary rights of any person. If the Product infringes intellectual property rights or other proprietary rights there is potential for the supply of the Products to be interrupted.

From time to time WSAA and the other Publishers may receive notice of allegations that the importation, manufacture, sale or use of the Product infringes intellectual property rights or other proprietary rights. WSAA's policy is to not refer to such allegations in its Certificate or take any other steps to put Recipients on notice of such allegations. If, however, WSAA becomes aware that the allegations have been admitted or proved in Court, then WSAA may, at its discretion, take such steps as it considers appropriate. As such, Recipients acknowledge, agree and accept that WSAA may have information in its possession about intellectual property rights infringement allegations or other infringement allegations in relation to the Product which are not referred to or disclosed in this Certificate and which are not otherwise communicated to Recipients.

1.2.3. Need for independent assessment

The information and any recommendation contained (expressly or by implication) in this Certificate are provided in good faith (and subject to the limitations noted in this Certificate). However, you should treat the information as indicative only. You should not rely on that information or any such recommendation except to the extent that you reach an agreement to the contrary with the Publisher(s).

This Certificate does not contain all information that a person might require for the purposes of assessing any product discussed or appraised within it. The product appraisal criteria used in preparing this Certificate may not address all relevant aspects of the Product.

Recipients should seek independent evidence of any matter which is material to their decisions in connection with an assessment of the Product and consult their own advisers for any technical information required. Any decision to use the Product should take into account the reliability of that independent evidence obtained by the Recipient regarding the Product. Recipients should also independently verify and assess the appropriateness of any recommendation in the Certificate, especially given that any recommendation will not take into account a Recipient's particular needs or circumstances.

WSAA has not evaluated the extent of the product liability and professional indemnity insurance that the provider of the product maintains. Recipients should ensure that they evaluate the allocation of liability for product defects and any professional advice obtained in relation to the product or its specification including the requirements for product liability and professional indemnity insurance.

1.3. No Updating

Neither the Publisher(s) nor any person involved in the preparation of this Certificate or the product appraisal criteria underlying it [has] [have] any obligation to notify you of any change in the information contained in this Certificate or of any new information concerning the Publisher(s) or the Product or any other matter.

1.4. No Warranty

The Publisher(s) do[es] not, in any way, warrant that steps have been taken to verify or audit the accuracy or completeness of the information in this Certificate, or the accuracy, completeness or reasonableness of any recommendation in this Certificate

APPENDIX A - QUALITY AND PRODUCT CERTIFICATIONS

Copies of the following Quality and Product Certification Certificates are available from WSA.

TABLE A1

WEFLO VALVE CO LTD – MANAGEMENT SYSTEMS

Cnr Huadong Rd and Chunyang Rd Qingdao Shandong China	
Quality Systems Standard	ISO 9001:2015
Certification Licence No.	1132-2004-AQ-RGC-RvA
Certifying Agency	DNV-GL
First Date of Certification	23 December 2003
Current Date of Certification	18 June 2019
Expiry Date of Certification	23 December 2021

TABLE A2

WEFLO VALVE CO LTD – PRODUCT CERTIFICATION

Cnr Huadong Rd and Chunyang Rd Qingdao Shandong China	
Product Standard/Spec.	AS 3952:2002
Certificate No.	OMK22993
Issuing Certification Body	IAPMO R&T Oceana
First Date of Certification	29 September 2020
Current Date of Certification	29 September 2020
Expiry Date of Certification	28 September 2025



APPENDIX B PRODUCT LITERATURE

**DIMAX SPRING HYDRANT VALVES
PN16 SPRING HYDRANT ASSEMBLY**

Designed and Manufactured
to AS 3952



RANGE OVERVIEW

Ductile Iron body and bonnet for high strength and impact resistance.

Removal internal components to allow direct full bore access to the pipeline for insertion and removal of swabs for scouring purposes.

Extra thick seat gasket to provide improved perforation resistance and reduce maintenance requirements.

Fusion bonded polymeric coating for long life corrosion protection.

Corrosion resistant components for long life operation.

O-ring located on fasteners to ensure they remain in place when the yoke is removed.

Dust cap fitted to each hydrant to prevent ingress of dirt into the seat area.

DESCRIPTION

For use in fire protection services, as well as water and neutral liquid applications.

Designed for use up to 70°C. Where applicable during use for AS 4020 compliance, max temp = 40°C

GENERAL APPLICATION

Dimax Spring Hydrant Valves provide direct access to water pipelines for fire fighting purposes. Access is gained by the attachment of a standpipe to the spring hydrant lugs.

The hydrant valve can also be used as a scouring and flushing point.

TECHNICAL DATA

Size Range
DN 80 - DN 100

Production Test Requirements
Seat Test = 1600kPa
Body Strength Test = 2400kPa

Working Temperature
Max Design Temperature = 70°C
AS4020 Temperature = 40°C

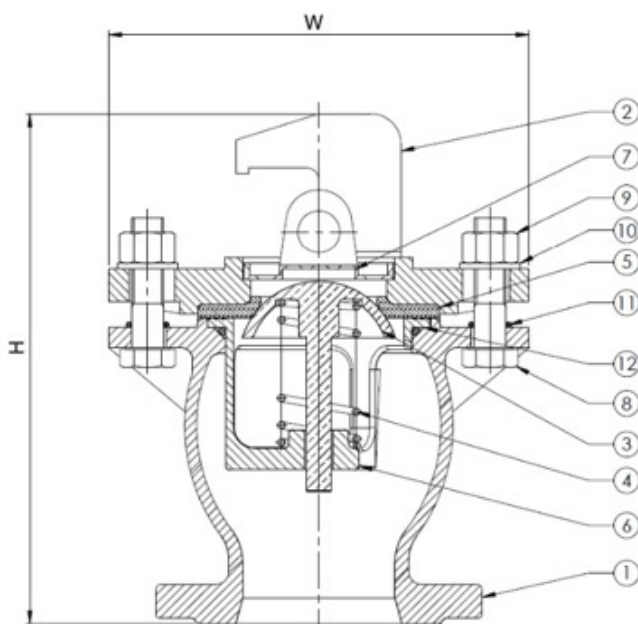
End Connection
Flanged to AS/NZS 4087

Coating
Fusion Bonded to AS 4158



DIMAX SPRING HYDRANT VALVES PN16 SPRING HYDRANT ASSEMBLY

Designed and Manufactured
to AS 3952



No	Description Material / Standard
1	Body SGI Grade 500-7
2	Yoke SGI Grade 500-7
3	Dome Brass / C48600 to AS1568
4	Spring Stainless Steel / 304 to AS2837
5	Resilient Seat Synthetic Rubber / EPDM to AS1646
6	Spring Support SGI Grade 500-7
7	Dust Cover Low Density Polyethylene
8	Hex Head Bolt Stainless Steel / 316 to AS2837
9	Hex Nut Stainless Steel / 316 to AS2837
10	Washer Stainless Steel / 316 to AS2837
11	O-Ring Synthetic Rubber / NBR to AS1646
12	O-Ring Synthetic Rubber / EPDM to AS1646

NOMINAL SIZE DN	H mm	W mm	Weight kg
80	255	210	8.5
100	255	210	9.5

APPENDIX C SUPPLIER CONTACTS

Reece Australia Pty Ltd

118 Burwood Highway

Burwood Vic 3125

Web: <https://www.reece.com.au/civil>

Contacts:

Jason Hall

Mobile: 0448 107957

Email: jason.hall@reece.com.au

Charles Cauchi

Mobile: 0429 926488

Email: charles.cauchi@reece.com.au

Reece Civil Stores:

Website store locator: <https://www.reece.com.au/aboutus/contactus>