

WSAA PRODUCT APPRAISAL CERTIFICATE

Daemco Australia Pty Ltd Reinoversal Unrestrained Mechanical Couplings

This appraisal is for unrestrained mechanical couplings in DN 80 to DN 150 sizes with short barrels and DN 80 to DN 600 sizes with long barrels.

The end rings are thermal bonded polymeric coated ductile iron and the barrels and fasteners are manufactured from Grade 316 stainless steel. The seals are EPDM.

The couplings accommodate a wide range of pipe outside diameters and are suitable for joining spigot ends of pipe manufactured from grey or ductile iron, steel, PVC-U, PVC-M, PVC-O, GRP and asbestos cement.

This Issue 6 is a replacement for the previous version of the appraisal which had reached its 5-year expiry date.

Quality and Product Certification Certificates and details of products are included in the attached Schedules A and B.

Product Category	Couplings
PA Number:	PA 1518 Issue 6
Supplier	Daemco Australia Pty Ltd
Brand	Reinoversal
Standards	AS/NZS 4998:2009 <i>Bolted unrestrained mechanical couplings for waterworks purposes</i>
WSAA Product Specification	WSA PS 270 – <i>Mechanical Couplings, Non-End Thrust Restraint for Pressure Applications-Drinking Water, Non-Drinking Water Supply and Sewerage</i>
Other Specifications	
Issue date	31 May 2022
Expiry date	30 May 2027
Recommendations	It is recommended that WSAA members, subject to any specific requirements of the member, accept or authorise Daemco Reinoversal couplings in sizes DN 80 to DN 600, as detailed in this report, for use in water and sewerage pipelines, provided any relevant conditions relating to the design, installation and acceptance testing are in accordance with relevant Standards, WSAA Codes and the manufacturer's requirements.
Disclaimer	The disclaimer on Page 2 explains a number of very important limits on your ability to rely on the information in this Product Appraisal Certificate and the assessment criteria used to underlay it. Please read it carefully and take it into account when considering the content in this Certificate.

1. Disclaimer

This Product Appraisal Certificate (Certificate) is issued by WSAA on the understanding that:

This Certificate applies to the product(s) as submitted in Schedule A. Any changes to the product(s) either minor or major shall void this Certificate.

To maintain the recommendations of this Certificate any such changes shall be detailed and notified to the Product Appraisal Manager for consideration and review of the Certificate including the product appraisal criteria underlying it and appropriate action. Appraisals and their recommendations will be the subject of continuous review dependent upon the satisfactory performance of products.

WSAA reserves the right to undertake random audits of product manufacture and installation. Where products fail to maintain appraised performance requirements the appraisal and its recommendations may be modified and reissued. Certificates will be reviewed and reissued at regular intervals not exceeding five (5) years.

WSAA reserves the right to withdraw this Certificate at any time in its sole and absolute discretion for any reason.

The following information explains a number of very important limits on your ability to rely on the information in this Certificate. Please read it carefully and take it into account when considering the contents of this Certificate.

Any enquiries regarding this Certificate should be directed to the Product Appraisal Manager Phone: 03 8605 7601 email carl.radford@wsaa.asn.au.

1.1. Issue of Certificate

This Certificate has been published and/or prepared by WSAA and nominated Project Manager and peer group of technical specialists (the Publishers).

The Certificate and the underlying product appraisal criteria have been prepared for use within Australia only by technical specialists that have expertise in the function of products such as those appraised in the Certificate (the Recipients).

By accepting this Certificate, the Recipient acknowledges and represents to the Publisher(s) and each person involved in the preparation of the Certificate and product appraisal criteria underlying it that the Recipient has understood and accepted the terms of this Disclaimer.

1.2. Limits on Reliance on Information and Recommendations

1.2.1. Disclaimer of liability

Neither the Publisher(s) nor any person involved in the preparation of the Certificate and product appraisal criteria underlying it accept(s) any liability for any loss or damage suffered by any person however caused (including negligence or the omission by any person to do anything) relating in any way to the Certificate or the product appraisal criteria underlying it. This includes (without limitation) any liability for any recommendation or information in the Certificate or any errors or omissions.

1.2.2. Intellectual Property and other rights

WSAA does not undertake any assessment of whether the importation, manufacture, sale or use of the Product the subject of this Certificate infringes the intellectual property rights or proprietary rights of any person. Recipients of the Certificate should undertake their own assessment of whether (as relevant) the importation, manufacture, sale or use of the relevant Products infringe the intellectual property rights or other proprietary rights of any person. If the Product infringes intellectual property rights or other proprietary rights there is potential for the supply of the Products to be interrupted.

From time to time WSAA and the other Publishers may receive notice of allegations that the importation, manufacture, sale or use of the Product infringes intellectual property rights or other proprietary rights. WSAA's policy is to not refer to such allegations in its Certificate or take any other steps to put Recipients on notice of such allegations. If, however, WSAA becomes aware that the allegations have been admitted or proved in Court, then WSAA may, at its discretion, take such steps as it considers appropriate. As such, Recipients acknowledge, agree and accept that WSAA may have information in its possession about intellectual property rights infringement allegations or other infringement allegations in relation to the Product which are not referred to or disclosed in this Certificate and which are not otherwise communicated to Recipients.

1.2.3. Need for independent assessment

The information and any recommendation contained (expressly or by implication) in this Certificate are provided in good faith (and subject to the limitations noted in this Certificate). However, you should treat the information as indicative only. You should not rely on that information or any such recommendation except to the extent that you reach an agreement to the contrary with the Publisher(s).

This Certificate does not contain all information that a person might require for the purposes of assessing any product discussed or appraised within it. The product appraisal criteria used in preparing this Certificate may not address all relevant aspects of the Product.

Recipients should seek independent evidence of any matter which is material to their decisions in connection with an assessment of the Product and consult their own advisers for any technical information required. Any decision to use the Product should take into account the reliability of that independent evidence obtained by the Recipient regarding the Product. Recipients should also independently verify and assess the appropriateness of any recommendation in the Certificate, especially given that any recommendation will not take into account a Recipient's particular needs or circumstances.

WSAA has not evaluated the extent of the product liability and professional indemnity insurance that the provider of the product maintains. Recipients should ensure that they evaluate the allocation of liability for product defects and any professional advice obtained in relation to the product or its specification including the requirements for product liability and professional indemnity insurance.

1.3. No Updating

Neither the Publisher(s) nor any person involved in the preparation of this Certificate or the product appraisal criteria underlying it [has] [have] any obligation to notify you of any change in the information contained in this Certificate or of any new information concerning the Publisher(s) or the Product or any other matter.

1.4. No Warranty

The Publisher(s) do[es] not, in any way, warrant that steps have been taken to verify or audit the accuracy or completeness of the information in this Certificate, or the accuracy, completeness or reasonableness of any recommendation in this Certificate.

QUALITY CERTIFICATIONS

Copies of the following quality certificates are available from WSAA

**SCHEDULE A1
DAEMCO AUSTRALIA PTY LTD- MANAGEMENT SYSTEMS**

65 Assembly Drive Tullamarine Vic	
Quality Systems Standard	ISO 9001:2015
Certification Licence No.	187603136670Q
Certifying Agency	Best Practice Certification
First Date of Certification	8 August 2016
Current Date of Certification	30 September 2020
Expiry Date of Certification	7 August 2022

**SCHEDULE A2
DALIAN RELIABLE INDUSTRIAL CO LTD - MANAGEMENT SYSTEMS**

158 Youhao Road, Zhongshan District Dalian City, Liaoning Province. China	
Quality Systems Standard	ISO 9001:2015
Certification Licence No.	01 100 039053
Certifying agency	TUV Rheinland
First date of certification	2005
Current date of certification	17 January 2020
Expiry date of certification	16 January 2023

**SCHEDULE A3
DAEMCO AUSTRALIA PTY LTD- PRODUCT CERTIFICATION**

65 Assembly Drive Tullamarine Vic	
Product Standard/Spec.	AS/NZS 4998:2009
Certificate No.	OMK30051
Issuing Certification Body	IAPMO R&T Oceana
First Date of Certification	8 March 2016
Current Date of Certification	8 March 2021
Expiry Date of Certification	7 March 2026



PRODUCT LITERATURE

UNRESTRAINED MECHANICAL COUPLINGS



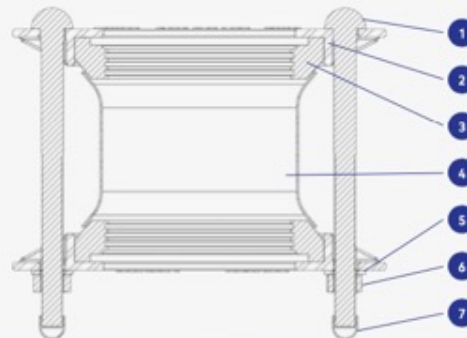
Design Advantage

- Quick and easy to install
- Disassembly not required
- Wide range to suit all pipe diameters
- Ultimate corrosion protection
- Pre-lubricated gaskets



Technical Detail

Range	DN80 to DN600
Pressure	PN16
Temperatures	40°C
Applications	Suitable for potable water and wastewater. For connecting equal or unequal pipe diameters.
Options	NBR Gaskets



Compliance

- Product Certification OMK30051
- WSAA PA 1518



NO.	PART	MATERIAL		STANDARD
1	Bolts	Stainless Steel	316	ASTM F593
2	End Rings	Ductile Iron FBE Coated	400-15	AS 1831
3	Gaskets	Rubber	EPDM	AS 1646
4	Barrel	Stainless Steel	316L	ASTM A240M
5	Washers	Stainless Steel	316	ASTM F844
6	Nuts	Stainless Steel, Delta Seal	316	ASTM F594
7	Bolt Caps	Plastic		

SHORT SERIES

NOMINAL DIAMETER	RANGE		BOLT			PN	MAX ANGULAR DEFLECTION PER SIDE	BARREL LENGTH
	MIN	MAX	L	SIZE	QTY			
DN80	88	102	200	M16	3	16	3/3	110
DN100	109	133	200	M16	3	16	3/3	110
DN150	158	182	200	M16	3	16	3/3	110

LONG SERIES

NOMINAL DIAMETER	RANGE		BOLT			PN	MAX ANGULAR DEFLECTION PER SIDE	BARREL LENGTH
	MIN	MAX	L	SIZE	QTY			
DN80	88	102	270	M16	3	16	3/3	178
DN100	109	133	270	M16	3	16	3/3	178
DN150	158	182	270	M16	3	16	3/3	178
DN200	214	238	290	M16	5	16	3/3	178
DN225	240	264	290	M16	6	16	3/3	178
DN250	272	296	290	M16	6	16	3/3	178
DN300	330	354	330	M16	6	16	3/3	178
DN375	400	429	330	M16	8	16	2.5/2.5	218
DN450	488	512	330	M16	10	16	2/2	218
DN500	540	565	330	M16	12	16	2/2	218
DN600	656	680	330	M16	14	16	1.5/1.5	218





SUPPLIER CONTACTS

Daemco Australia Pty Ltd

65 Assembly Drive
Tullamarine Vic 3043

Phone: 1800 323 626

Email: enquiries@daemco.com.au

Website: www.daemco.com.au